

(राष्ट्रीय पशु जैव प्रोद्योगिकी संस्थान)

National Institute of Animal Biotechnology

Corrigendum -- Change of Opening Date & Specifications

Please refer NIAB Tender Details as follows.

Tender ID: DTE

Tender Reference Number: / /

Tender Title: Animal facility trolleys

The following changes may please be noted before submission of bids with respect to the tender details mentioned below

In place of old dates mentioned in Tender please consider following dates

Document Download End Date in place of Existing old date: Reads / /

bid submission End date in place of Existing old date: Reads / /

bid Opening Date in place of Existing old date: Reads / /

Revised / New change in specifications

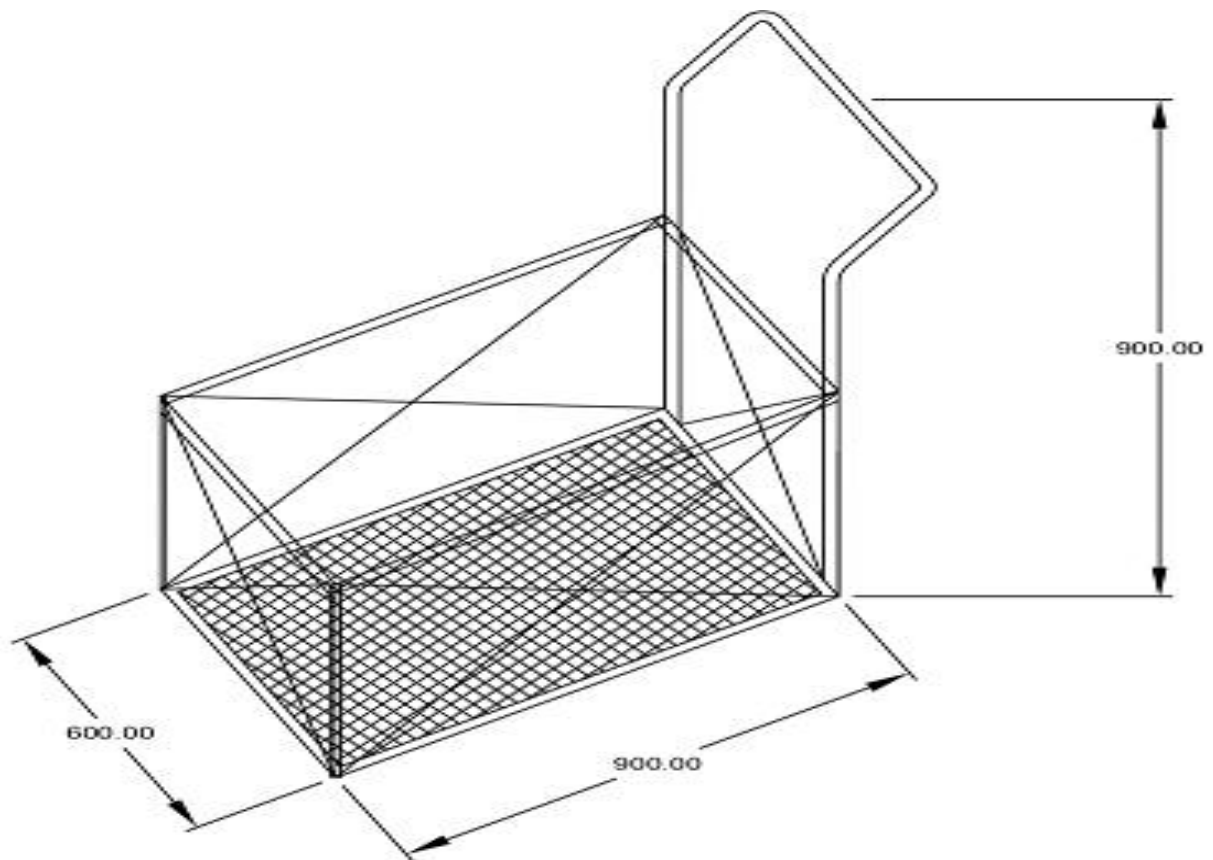
Dimensions and drawing of trolley and food bins can be treated/ followed as per **Annexure** as attached below

Rest of the tender conditions remains same

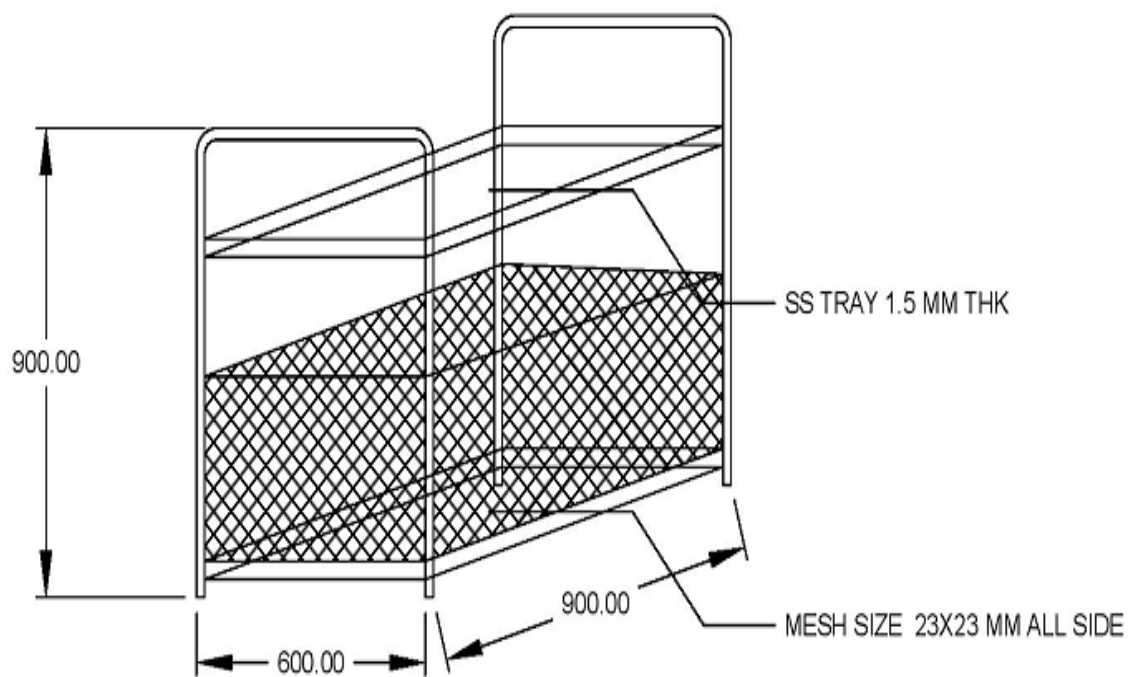
Manager

Hyderabad

Date: / /



Trolley for transportation of cages



Trolley for transportation of water bottle

